

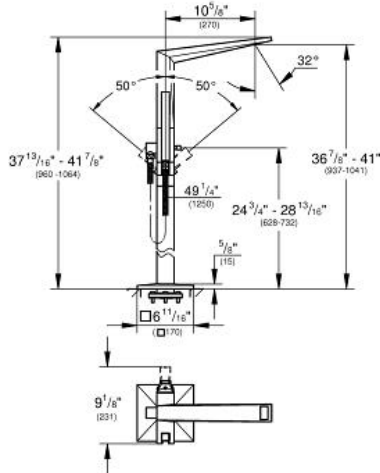
# ALLURE BRILLIANT

MODEL # 23119000

Pure Freude an Wasser



GROHE America, Inc | 200 North Gary Avenue, Suite G, Roselle, IL 60172  
 Phone: +1 (800) 444-7643 | Fax: +1 (800) 225-2778 | us-customerservice@grohe.com



### Product Description:

#### Standard Specification:

- Requires Rough-In Set (29 038 001) (sold separately)
- **GROHE SilkMove** ceramic cartridge
- **GROHE StarLight** chrome finish
- Automatic diverter: bath/shower
- Spout with integrated flow control
- 10 5/8" spout reach
- 1/2" Integrated non-return valve in the shower outlet
- With shower holder
- Hand shower Euphoria Cube+
- Metal shower hose 1250 mm
- Protected against backflow

#### Applicable Codes & Standards:

- Energy Policy Act of 1992
- ASME A112.18.1/CSA B125.1
- US Federal and State material regulations
- ICC/ANSI A117.1

#### Color:

- 23119000 StarLight Chrome

